



Click Here To View  
Item at

[www.GapPower.com](http://www.GapPower.com)

*Sales • Rentals  
Parts & Service*



**Count on it.**

**Parts Catalog**

**21in Walk-Behind Aerator**

Model No. 23515—Serial No. 312000001 and Up

Model No. 33515—Serial No. 312000001 and Up



# Ordering Replacement Parts

To order replacement parts, please supply the part number, the quantity, and the description of each part desired.

## Understanding Reference Numbers

Each identified part in an illustration has a reference number. The reference number for a part also appears in the parts list, along with other information about the part.

This catalog uses two special reference number formats, one to indicate parts in a service assembly and another to indicate the quantity of a given part in an illustration.

## Service Assembly Reference Numbers

Parts in service assemblies have reference numbers in the form a:b. The a represents the reference number of the entire service assembly and the b represents a sequential number unique to each part within the service assembly.

For example, a wheel assembly might be identified by reference number 6, the tire by 6:1, the valve by 6:2, and the wheel by 6:3. When you order the assembly identified by reference number 6, you receive all parts identified by reference numbers 6:1, 6:2, and 6:3. However, you may also order any part individually. Reference numbers of this type appear in illustration and in parts lists.

## Reference Numbers Indicating Quantity

In an illustration, if a reference number indicates more than one part, the reference number has the form nX y. The n represents the quantity of the part, the X is the multiplication symbol, and the y represents the reference number.

For example, in an illustration, the reference number 2X 37 means that two of the parts identified by reference number 37 are indicated.

# List of Abbreviations

**AR:** as required

**ASM:** assembly

**BBC:** blade brake control

**BHTF:** button head thread forming

**CARR:** carriage

**CCW:** counter clockwise

**CW:** clockwise

**DEG:** degrees

**DPA:** Dual Point Adjustment

**ECM:** electronic control module

**EXT:** external

**FH:** flat head

**GA:** gauge

**HD:** heavy-duty

**HF:** hex flange

**HH:** hex head

**HHF:** hex head flange

**HHFTF:** hex head flange thread forming

**HJ:** hex jam

**HLH:** hex lag head

**HOC:** height-of-cut

**HSBH:** hex socket button head

**HSFH:** hex socket flat head

**HSH:** hex socket head

**HWH:** hex washer head

**HWHTF:** hex washer head thread forming

**HYD:** hydraulic

**LH:** left hand

**LPG:** Liquid Propane Gas

**NI:** nylon insert

**NPTF:** national pipe thread fine

**PFH:** phillips flat head

**PPH:** phillips pan head

**PPHTF:** phillips pan head thread forming

**PRH:** phillips round head

**PTH:** phillips truss head

**PTO:** power-take-off

**RH:** right hand

**ROPS:** roll-over protection system

**RRB:** rear roller brush

**SFH:** slotted fillister head

**SHH:** slotted hex head

**SHWH:** slotted hex washer head

**SPH:** slotted pan head

**SQH:** square head

**SRH:** slotted round head

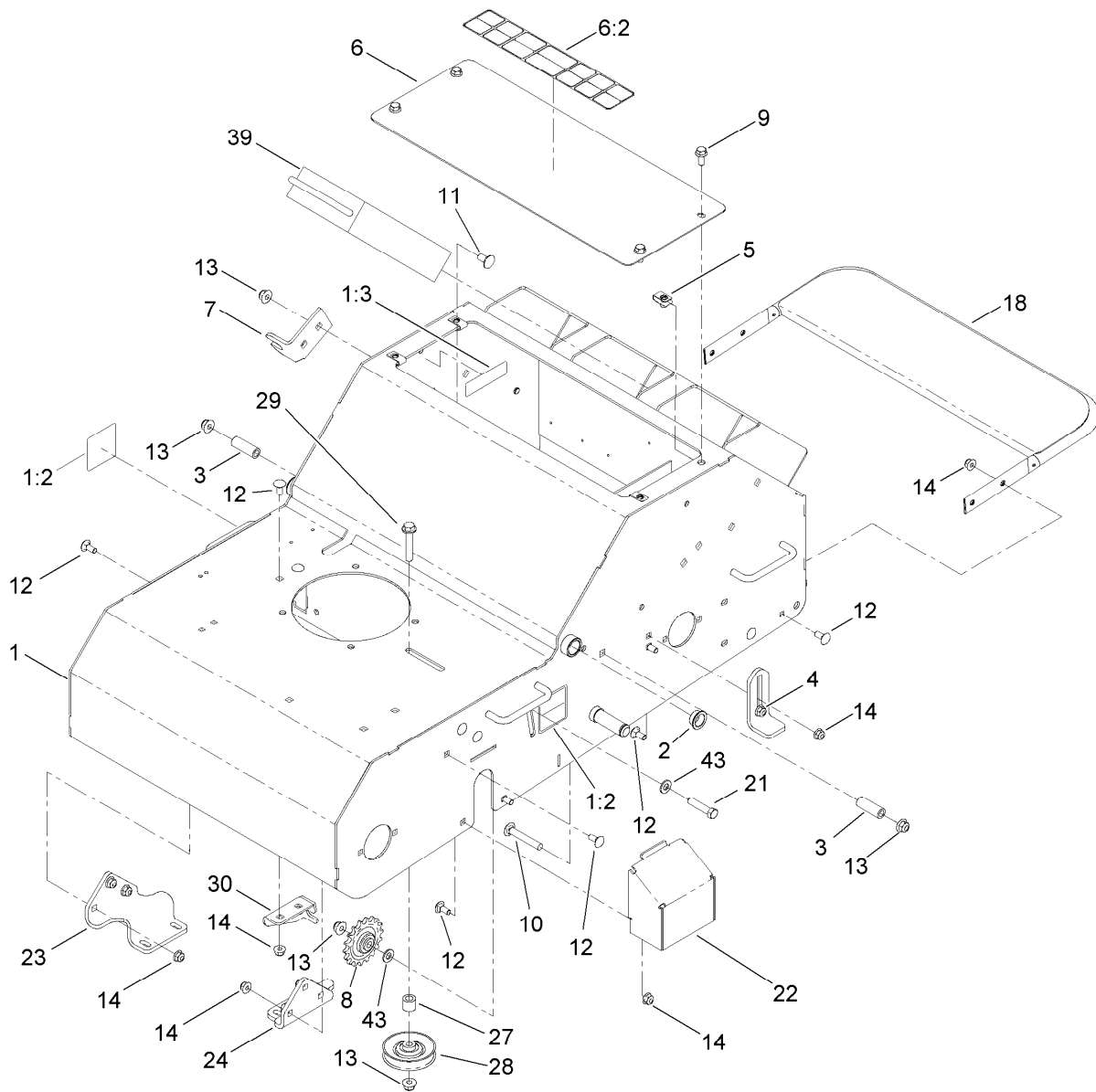
**STD:** standard

**TAP:** self tapping

**TTH:** torx truss head

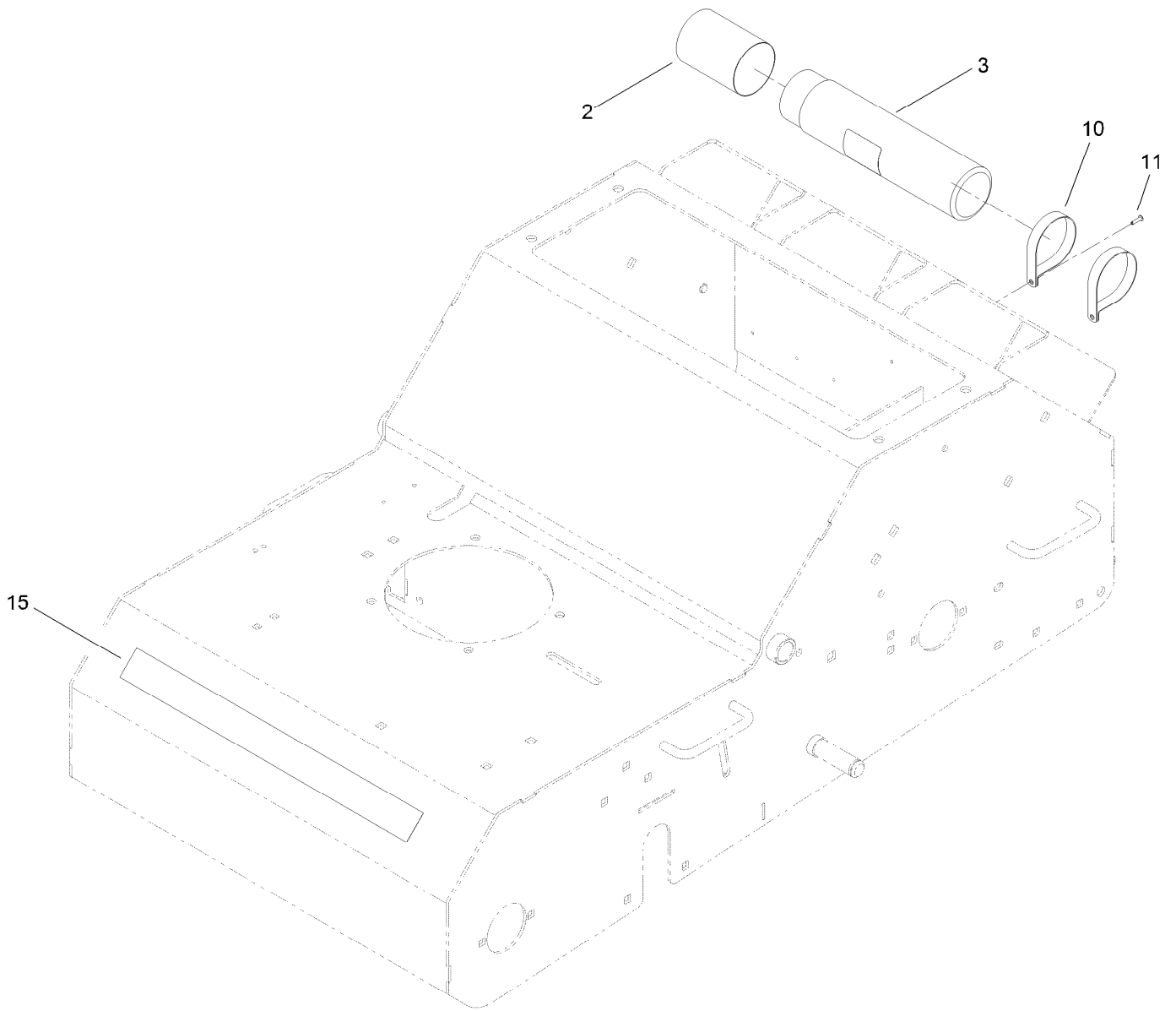
# Contents

Frame Assembly.....	4
Manual Tube and Decal Assembly .....	5
Engine and Fuel Tank Assembly .....	6
Drive Assembly.....	7
Handle Assembly.....	8
Height Linkage Assembly.....	9
Tine Assembly .....	10



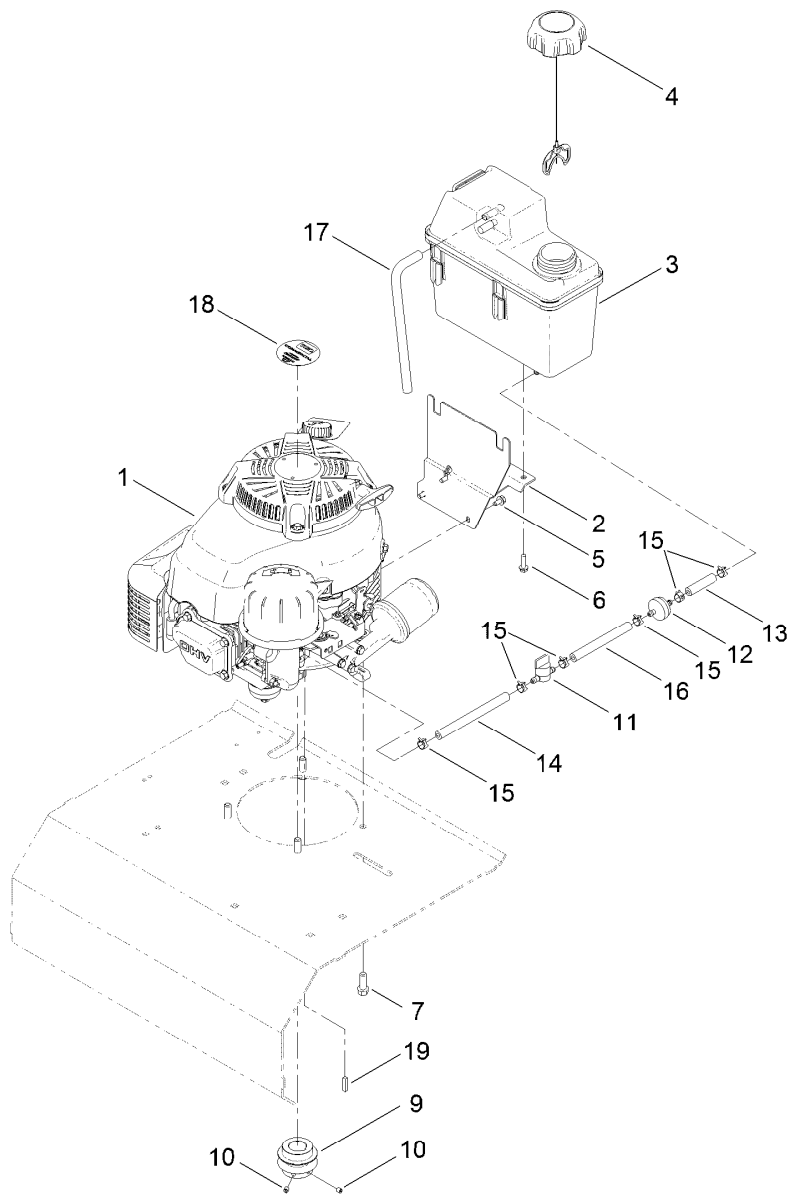
## Frame Assembly

<i>Ref.</i>	<i>Part Number</i>	<i>Qty.</i>	<i>Description</i>	<i>Ref.</i>	<i>Part Number</i>	<i>Qty.</i>	<i>Description</i>
1	121-6194	1	Frame ASM	12	3230-1	20	Bolt-CARR
1:2	121-6150	2	Decal-Warning, Aerator	13	104-8301	7	Nut-Flange, NI
1:3	119-0217	1	Decal-Danger	14	104-8300	20	Nut-Flange, NI
2	108519	2	Bushing-Bronze	18	121-2034-03	1	Guard
3	95-6448	2	Spacer	21	323-9	2	Screw-HH
4	121-4871	2	Stop-Depth	22	121-1981-01	2	Cover-Transaxle
5	115-7721	4	Nut-Clip, U	23	121-4948-03	1	Bracket-Mount Axle, RH
6	121-6195	1	Cover ASM	24	121-4949-03	1	Bracket-Mount Axle, LH
6:2	121-2009	1	Decal-Warning, Aerator	27	121-6087	1	Bushing-Idler
7	121-4880	1	Bracket-Mount, Cable	28	62-4530	1	Pulley
8	121-4915	2	Sprocket-Idler	29	323-11	1	Screw-HH
9	3234-47	4	Screw-HHF	30	121-6056	1	Bracket-Mounting, Cable
10	3231-44	2	Screw-CARR	39	121-6080	1	Weight-Aerator
11	3231-1	2	Screw-CARR	43	3256-24	5	Washer-Flat



## Manual Tube and Decal Assembly

<i>Ref.</i>	<i>Part Number</i>	<i>Qty.</i>	<i>Description</i>
2	104-7048	1	Cap-Housing
3	104-7050	1	Tube-Manual
10	2412-120	2	Clamp-R
11	3269-17	2	Rivet-Pop
15	121-6176	1	Decal

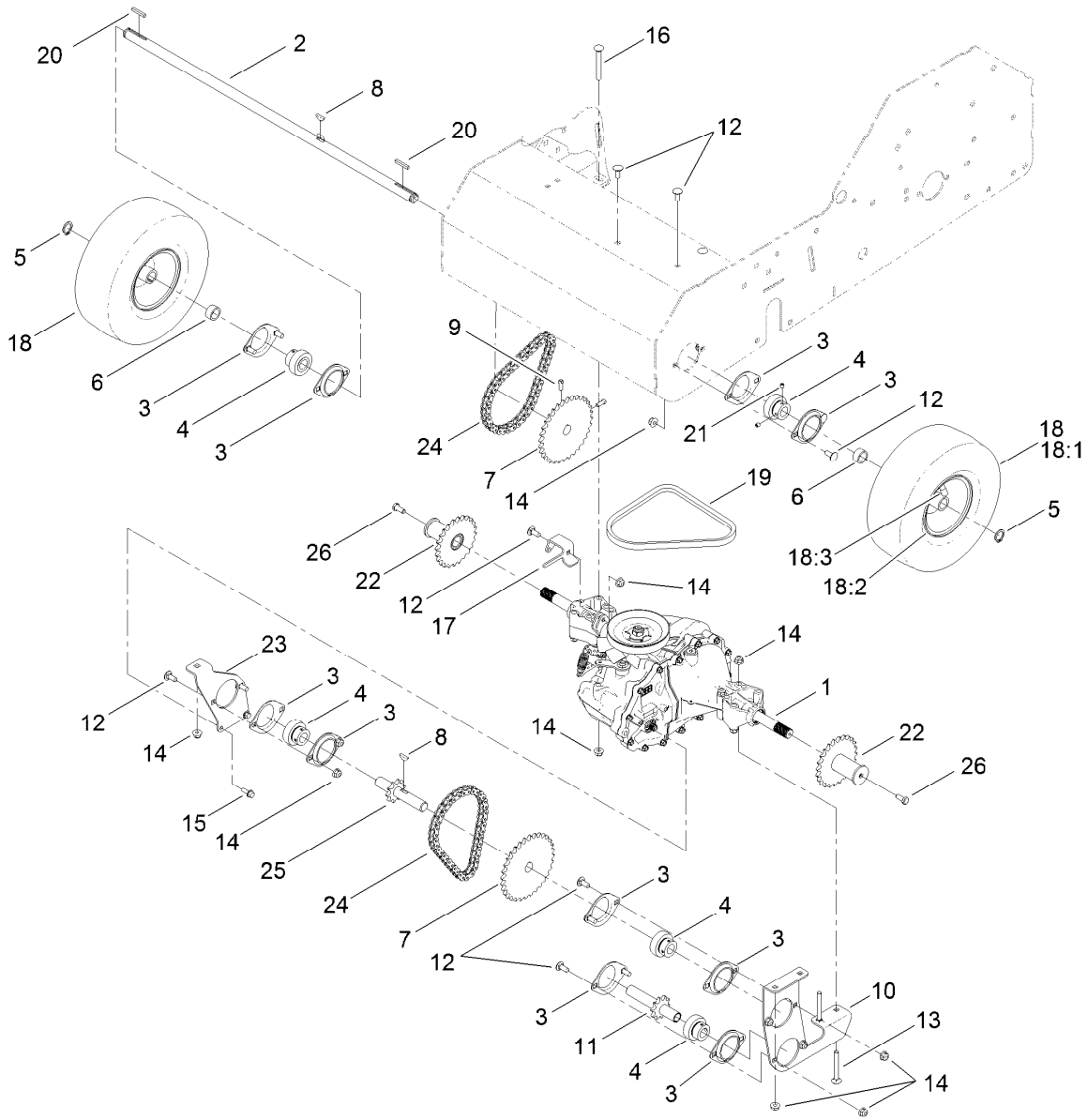


## Engine and Fuel Tank Assembly

Ref.	Part Number	Qty.	Description	Ref.	Part Number	Qty.	Description
1		1	Engine-Kawasaki, Fj180V-Bm02-M ●■	11	1-603770	1	Valve-Fuel
2	115-0954-03	1	Tank Mount ASM	12	56-6360	1	Filter-Fuel
3	114-0280	1	Tank-Fuel	13	99-9415	1	Hose-Fuel
4	109-6776	1	Cap-Ratchet, Tethered	14	109-0300	1	Hose-Fuel
5	104-2628	3	Screw-HWH	15	2412-98	6	Clamp-Hose
6	46-8091	2	Screw-HWH	16	109-0650	1	Hose-Fuel
7	95-1726	4	Screw-Taptite	17	115-0962	1	Hose-Vent, Canister
9	121-2038	1	Pulley-Driver	18	112-9967	1	Decal
10	3245-35	2	Screw-Set, HSH	19	6366	1	Key

● Not serviced separately

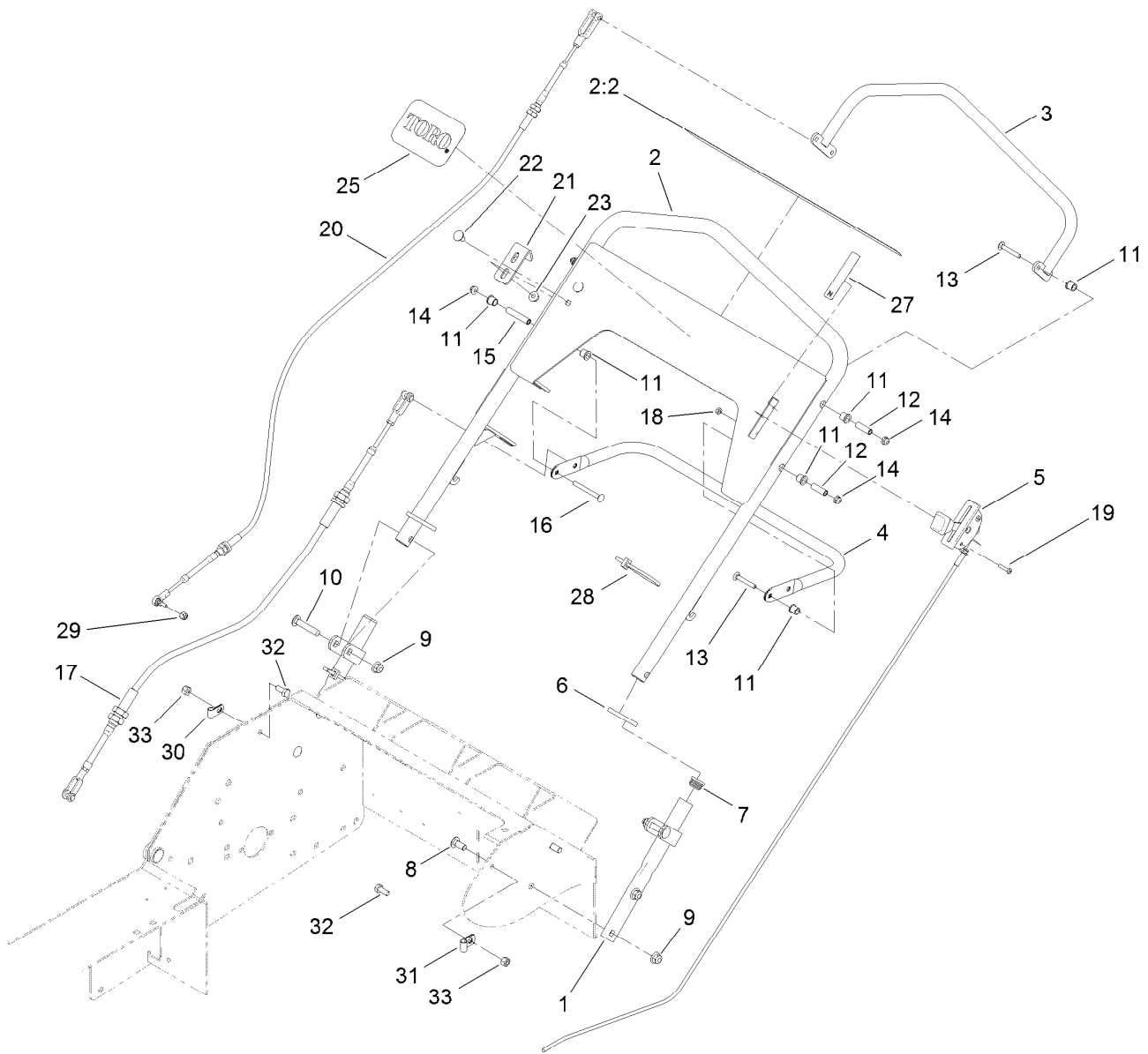
■ Obtain parts from [www.kawpowerpc.com](http://www.kawpowerpc.com)



## Drive Assembly

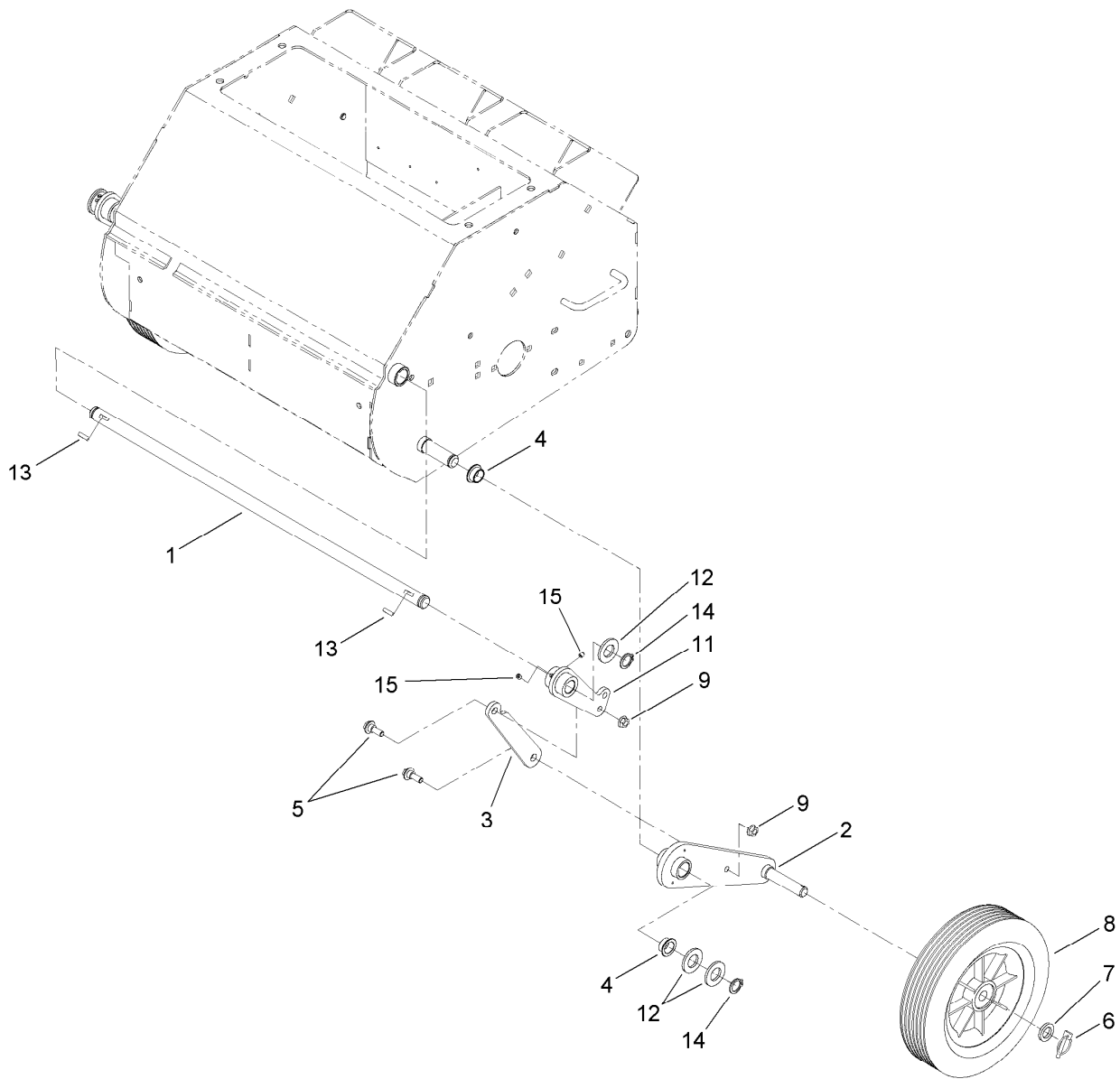
<i>Ref.</i>	<i>Part Number</i>	<i>Qty.</i>	<i>Description</i>	<i>Ref.</i>	<i>Part Number</i>	<i>Qty.</i>	<i>Description</i>
1	121-4899	1	Transaxle ASM	16	3230-9	4	Screw-CARR
2	121-4927	1	Shaft-Wheel	17	121-6067	1	Angle-Control
3	105-9714	10	Flange-Bearing	18	120-3550	2	Wheel ASM
4	120-9350	5	Bearing-Lock, Collar	18:1	121-6081	1	Tire
5	32120-93	2	Ring-Retaining	18:2	121-6082	1	Wheel-Rim
6	121-4931	2	Spacer-Wheel	18:3	5108	1	Valve
7	121-4934	2	Sprocket	19	121-1999	1	Belt-Drive
8	3257-5	2	Key-Woodruff	20	92-0049	2	Key-Square
9	3241-5	4	Screw-Set	21	3245-35	10	Screw-Set, HSH
10	121-4936-03	1	Plate-Bearing	22	121-1976	2	Sprocket ASM
11	121-4937	1	Shaft-Output	23	121-4932-03	1	Bracket-Support, Shaft
12	3230-23	14	Screw-CARR	24	121-6105	2	Chain-Drive Wheel
13	3230-8	2	Screw-CARR	25	121-6108	1	Shaft-Jack
14	104-8300	20	Nut-Flange, NI	26	3235-6	2	Screw-HH
15	3234-4	2	Screw-HHF				





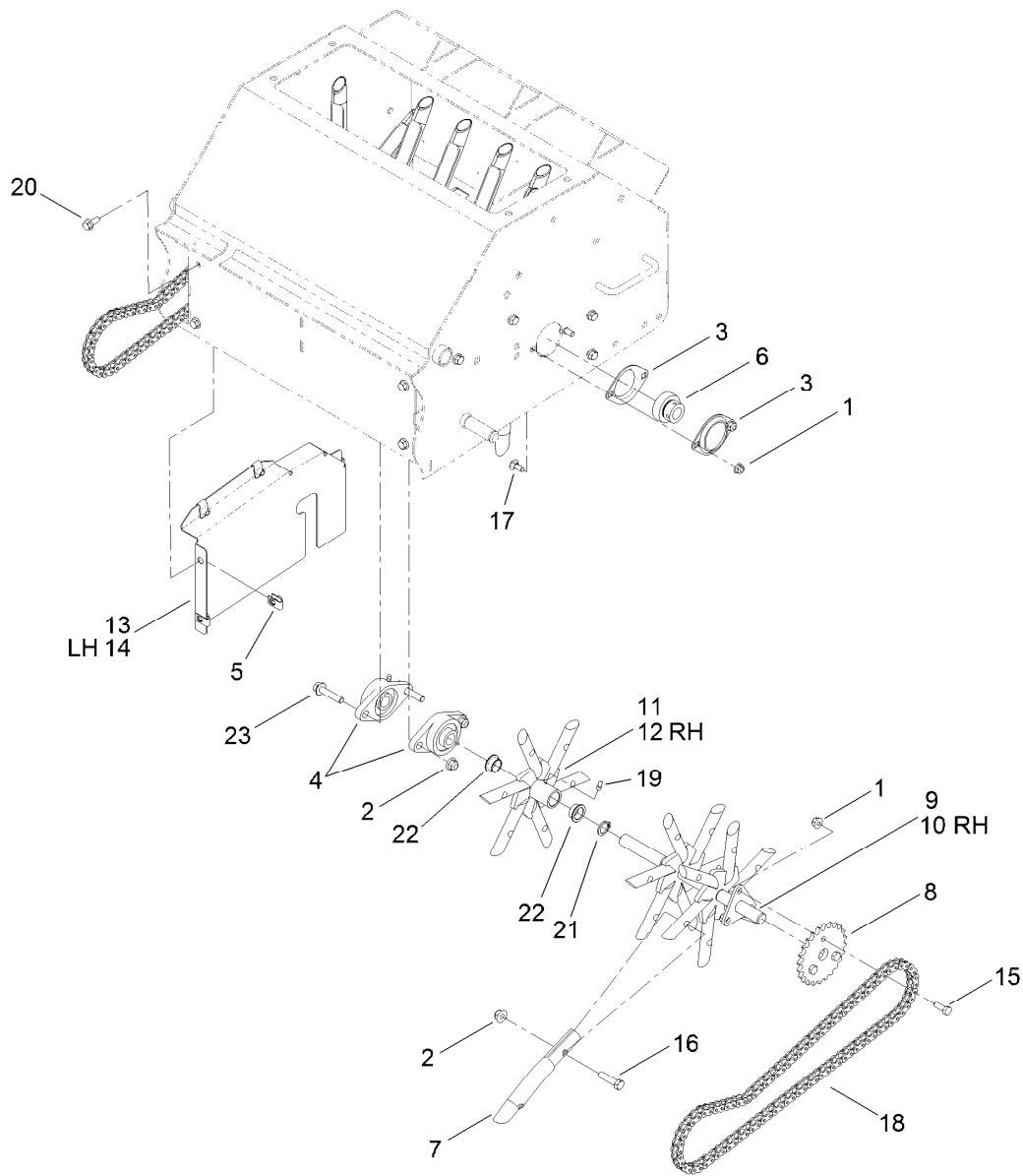
## Handle Assembly

Ref.	Part Number	Qty.	Description	Ref.	Part Number	Qty.	Description
1	121-4866-03	2	Mount-Handle	16	3229-8	1	Screw-CARR
2	121-6199	1	Handle ASM	17	121-4904	1	Cable
2:2	121-2008	1	Decal-Aerator, Control Panel	18	3296-2	3	Nut-Lock, NI
3	121-6053-03	1	Tube-Control	19	3250-27	2	Screw-PPH
4	121-6058	1	Tube-Lift, Handle	20	121-6068	1	Cable
5	103-6123	1	Control-Throttle	21	121-6057	1	Angle-Stop
6	121-6202	2	Ring-Handle Lock	22	3230-18	2	Screw-CARR
7	121-4870	2	Plug	23	104-8300	2	Nut-Flange, NI
8	3231-12	4	Screw-CARR	25	105-8278	1	Decal
9	104-8301	6	Nut-Flange, NI	27	121-6151	1	Decal-Throttle, Choke
10	3231-6	2	Screw-CARR	28	3290-378	2	Tie-Cable
11	103-9928	8	Bearing	29	3296-3	1	Nut-Lock
12	121-6060	3	Bushing-Pivot	30	98-2390	1	Clamp-R
13	3229-5	3	Screw-CARR	31	2412-113	1	Clamp
14	104-7201	4	Nut-HF	32	322-3	2	Screw-HH
15	121-6062	1	Bushing-Pivot	33	3296-29	2	Nut-Lock, NI



## Height Linkage Assembly

Ref.	Part Number	Qty.	Description
1	121-4873	1	Shaft-Pivot
2	121-4886-03	2	Arm-Wheel
3	121-6212-03	2	Link-Connecting
4	108519	4	Bushing-Bronze
5	116-2670	4	Screw-Shoulder
6	3290-495	2	Pin-Klik
7	63-9710	2	Spacer-Bearing
8	121-4897	2	Wheel-Transport
9	32128-20	4	Nut-HF
11	121-6213-03	2	Lift-Arm
12	3256-28	6	Washer-Flat
13	3257-5	2	Key-Woodruff
14	32120-93	4	Ring-Retaining
15	108-0989	4	Screw-Set



## Tine Assembly

<i>Ref.</i>	<i>Part Number</i>	<i>Qty.</i>	<i>Description</i>	<i>Ref.</i>	<i>Part Number</i>	<i>Qty.</i>	<i>Description</i>
1	104-8300	10	Nut-Flange, NI	13	121-6077-01	1	Guard-Chain, RH
2	104-8301	38	Nut-Flange, NI	14	121-6078-01	1	Guard-Chain, LH
3	105-9714	4	Flange-Bearing	15	322-4	6	Screw-HH
4	106-7126	2	Bearing-Flange	16	323-8	38	Screw-HH
5	115-7721	12	Nut-Clip, U	17	3230-1	4	Bolt-CARR
6	120-9350	2	Bearing-Lock, Collar	18	121-6107	2	Chain-Drive
7	121-4894	36	Tine-Coring	19	302-19	2	Fitting-Grease
8	121-4900	2	Sprocket	20	3234-47	12	Screw-HHF
9	121-4930-01	1	Tine-Wheel, LH	21	32120-93	2	Ring-Retaining
10	121-6072-01	1	Tine-Wheel, RH	22	108519	4	Bushing-Bronze
11	121-6099-01	1	Spyder Tine ASM	23	3234-19	2	Screw-HHF
12	121-6096-01	1	Spyder Tine ASM				

**Notes:**



**Count on it.**