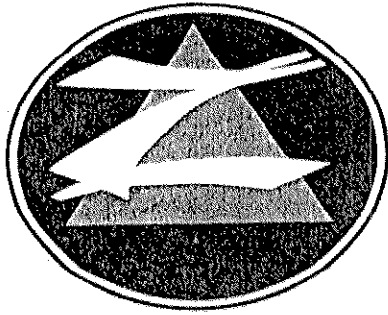




Click Here To View
Item at

www.GapPower.com

*Sales • Rentals
Parts & Service*



OPERATING INSTRUCTIONS

PALTRON INTL CORP

TOE JACK

ZINKO HYDRAULIC JACK

ZHC—5V 5TON

ZHC—12V 10TON

WARNING

Read this operation manual thoroughly and fully understand its contents before using this jack.

Keep this manual at a well protected area for later references.

If this operation manual does not cover the jack model you purchased, please request your dealer for a copy of the correct manual.

2

TO CUSTOMER:

Thank you very much for purchasing ZINKO Hydraulic Jack.




Please read thoroughly and understand fully this manual before using the jack.

Use the jack properly after having thoroughly understood this manual. Jack operation without having read the warning information, operation instructions, and others contained in this manual may cause not only inability to operate the jack to its capacity, but also a vehicle fall, injuries, and/or death(s).

If you have any questions about the jack purchased or the contents of this manual, please contact your dealer.

Keep this operation manual, labels, and others at a well protected area. If lost or stained, purchase replacements, and store or affix them properly.

This manual uses the following warning indicators for "Danger," "Warning," and "Caution," and defines those words as explained below. These warning indicators are important for your safe operation. Before operating jack, fully understand the information following the warning indicators, as it is on prevention of injury, death, and/or property damages.

-  **Danger:** Wrong operation is highly likely to result in the operator's death or serious injury.
-  **Warning:** Wrong operation may result in the operator's death or serious injury.
-  **Caution:** Wrong operation may result in the operator's injury or property damages.

Warning Information

⚠ Warning



Read this operation manual thoroughly, and fully comprehend its contents before using the jack.

* Important warning information is provided. Follow the warning information, or a serious accident may occur.



Do not use the jack on a slope or soft surface.

* Using the jack on a slope or soft surface makes the jack tilt, and saddle slip, which may result in a serious loss.

⚠ Operation Precautions

1. Inspect jack before every use. Never use damaged, altered, or malfunctioning jack.
2. Never overload this jack beyond its rated capacity.
3. Use jack on a hard level surface.
4. When the TOE begins to extend by handle pumping, be sure to center the load on the jack's TOE, and to make force of the load perpendicular to TOE.
5. Do not lift heavy load unnecessarily high.
6. When sustaining heavy load at jacked position, support the load with appropriate stable stands.
7. NEVER get your arm, leg, and body under the heavy load supported only by a jack.
8. Do not add force on the load supported.
9. When the handle is not in use, take it out from the body of the jack. Never use other handle than the one designated by the specifications.
10. To lower TOE, pump once or twice for raising, then slowly turn release stem counter-clockwise.
11. When finished using jack, retract the ram completely. Extended ram might get damaged.
12. Use jack under the temperature in the range of -20 to +70 degrees of Celsius.
13. When the ram will not extend due to air in the system:
Pumping the jack at a non-operable angle causes air to enter the bulb, which makes the ram unable to extend. When this happens, place the pump on horizontally, retract the ram completely, and operate pump (hollow pumping) twice or three times with the release stem open.

⚠ CAUTION

Do not overload the toe beyond its rated capacity. Doing so may result in a serious accident.

⚠ CAUTION

Do not lower the jack suddenly and stop it in the middle of the lift with a heavy load on. Doing so can cause damage to the jack, which may result in a serious accident.

◆ How to use

⊗ To raise jack:

1. Insert the end of handle into the release stem, turn it clockwise to completely close the valve. (Do not over-tighten the valve as it may cause troubles.)
2. Insert handle into handle socket, and pump handle.

⊙ To lower jack:

▲ Caution

Slowly turn release stem. Turning it quickly makes heavy load fall rapidly, which may result in jack's losing engagement at jacking point, and/or damage to jack, leading to a serious accident.

1. Insert the end of handle into the release stem, turn it slowly counter-clockwise to open the valve. (Do not turn it around more than twice.)
2. When finished using jack, wipe off dirt, oil and other contamination from the jack. Store the jack at a designated place with the ram completely retracted.

▲ Caution

If stains on labels make it difficult to make out the instructions on them, or the jack appears to be in an abnormal condition, consult your dealer immediately.

⊙ To fill reservoir with jack oil

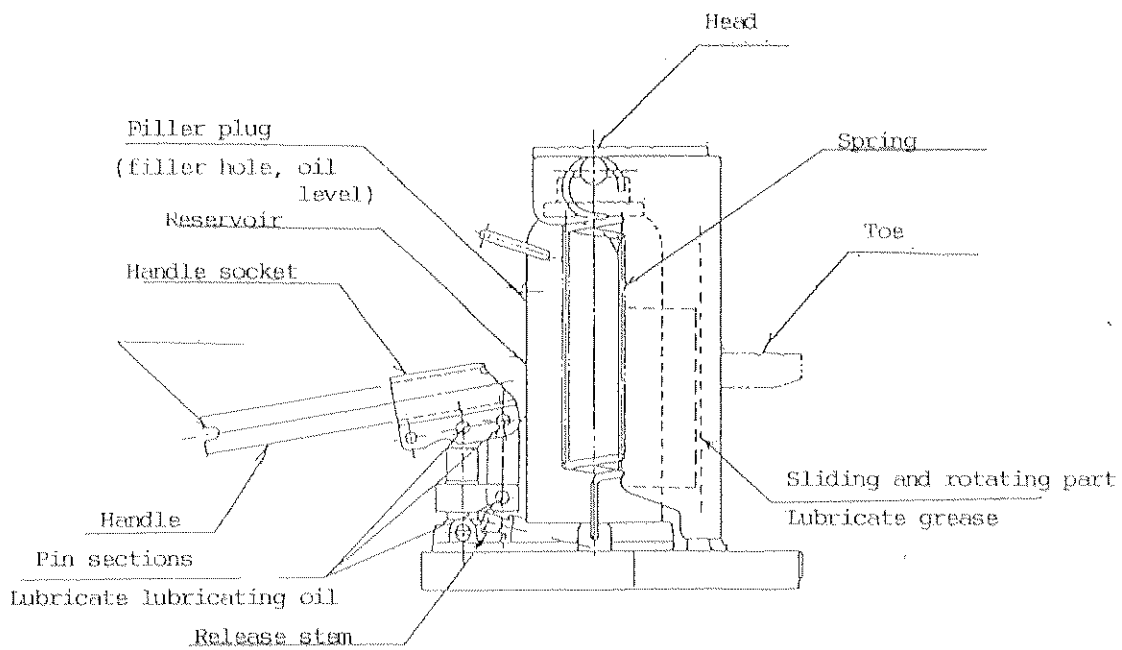
(Toe)

1. Retract ram completely.
2. Remove filler plug with your fingers, and fill reservoir with designated jack oil or general hydraulic fluid (ISO VG10 - 32) to the bottom edge of fill hole with jack upright.
3. Replace filler plug, operate pump to the ram's full height, and continue pumping for five or six times at the position. Push down ram completely, and push open filler plug sideways to let out the air. (Operation to let out the air)

▲ Caution

Ensure no foreign matter such as dirt enters the system while filling oil. Never use brake oil or vegetable oil for the purpose, as such oil causes jack to malfunction.

◆ Explanatory Diagram

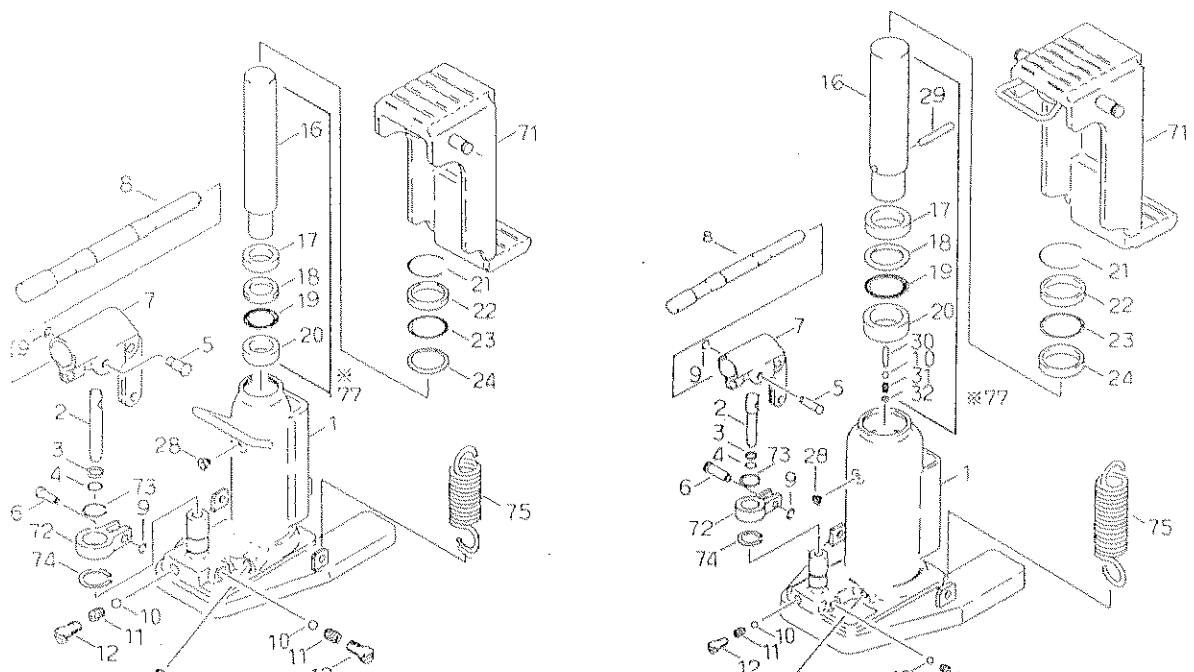


◆ Assembly Parts List (Parts with the mark * is supplied a set)

NO	部品名	NO	部品名
1	ボディA'ssy	74	ポンペーストッパ-B
2	ポンプフランジャー	75	リターンスプリング
3	ポンパックアップリング	77	ラムA'ssy
4	ポンパッキン	78	リリースステムA'ssy
5	ポンプフランジャーピン		
6	ポンプスチピン		
7	ハンドル機手A'ssy		
8	ハンドル		
9	止めピン		
10	バルブボール		
11	バルブスプリング		
12	バルブプラグ		
13			
14	リリースパッキン		
15	リリースステム		
16	ラム		
17	ラムパッキンシート		
18	ラムパックアップリング		
19	ラムパッキン		
20	ラムパッキンストッパ		
21	スナップリング		
22	スタフィンリング		
23	シリンダーパッキン		
24	ストッパリング		
28	空気抜栓		
29	ヨコピン		
30	タテピン		
31	ラムスプリング		
32	ラムスプリングオサエ		
71	ハンガー		

ZHC-5V

ZHC-10V



OWNER'S RESPONSIBILITY

Operation. The owner and/or operator shall have an understanding of these operating instructions and warnings before operating the jack. Warning information shall be emphasized and understood. If the operator is not fluent in English, the instructions and warnings shall be read to and discussed with the operator in the operator's native language by the purchaser/owner, making sure that the operator comprehends its contents.

Maintenance. The jack shall be maintained in accordance with instructions listed under "Maintenance."

Inspection

1. Visual inspection shall be made before each use of the jack, checking for leaking hydraulic fluid, and damaged, loose or missing parts.
2. Each jack shall be inspected by an authorized PALTROL service facility immediately, if subjected to an abnormal load or shock.
3. Owners and/or users should be aware that repair of this equipment may require specialized knowledge and facilities. It is recommended that an annual inspection of the jack be made by an authorized PALTROL service facility and that any defective parts, decals or warning labels be replaced with genuine PALTROL parts. A list of authorized service facility is available from PALTROL.

Damaged Jacks. Any jack which appears to be damaged in any way, is found to be badly worn, or operates abnormally SHALL BE REMOVED FROM SERVICE until necessary repairs are made by an authorized PALTROL service facility.

◆ Troubleshooting

Major Trouble	Cause	Solution	Note
Toe will not extend.	Release stem is open.	Completely close release stem by turning it clockwise.	Refer to operation instructions.
	Dirt or crack at valve sealing section.	Contact service outlet for repair.	
Jack will not lift full height.	Not enough, or too much jack oil in reservoir.	Fill reservoir with appropriate amount of oil.	Refer to operation instructions.
Toe extends, but falls spontaneously.	Air in the system.	Press down ram to the lowest position, and let out air by pushing open filler plug sideways.	Refer to operation instructions.
Handle pops up.	Sealing of delivery valve damaged.	Contact service outlet for repair.	
External oil leakage.	Damaged top or bottom part of reservoir, release stem, or pump.	Contact service outlet for repair.	

If the above procedures do not correct the problem, contact your nearest PALTROL service facility. When submitting any jack or equipment to be repaired, be sure to state the nature of the problem and indicate whether an estimate of the repair cost is needed.



PALTROL INT'L CORP dba Zinko Hydraulic Jack

1900 Tyler Ave., # D-168
S.El Monte, CA 91733
P.O. Box 2887, San Gabriel, CA 91778

Tel: (818) 579-9083-4
Fax: (818) 579-9085