

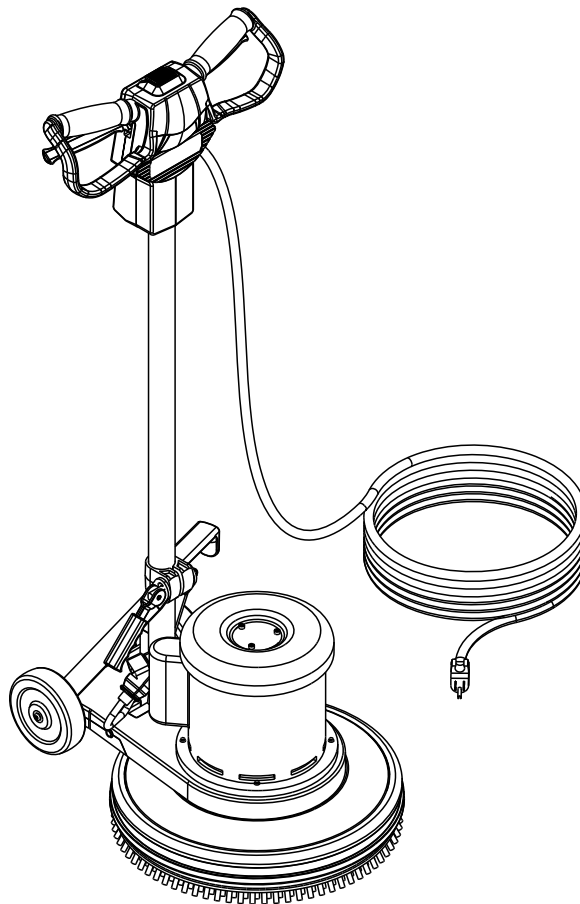
Pacesetter™ 13, 17, 20

Pacesetter™ 17HD, 20HD

Pacesetter™ 20TS, 20SD

Parts List

7/2005 revised 2/2018 REV E
Form No. 71051A



Active Models:

0133A (17HD), 01410A (20HD), 0140A (20TS)
01460A (20SD), 56383336 (17HD)

Obsolete Models:

01282A (13), 01290A (17), 01290C (17), 01370C (20), 01290M (17)
01330C (17HD), 01370A (20), 01410C (20HD), 56383337 (20HD)

TABLE OF CONTENTS

| DESCRIPTION | PAGE |
|------------------------------|-------------|
| Optional Accessories..... | 3 |
| Assembly Drawing | 4-5 |
| Wiring Diagrams..... | 6 |
| Motor Schematics (120V)..... | 7 |
| Motor Schematics (230V)..... | 7 |

WHEN ORDERING PARTS

- * Use the part numbers from the "Ref. No." columns in this parts list.
- * Specify the model number and serial number of the machine.
- * Use the space below to record the model number and serial number for future reference.

Model No. _____ Serial No. _____

OPTIONAL ACCESSORIES

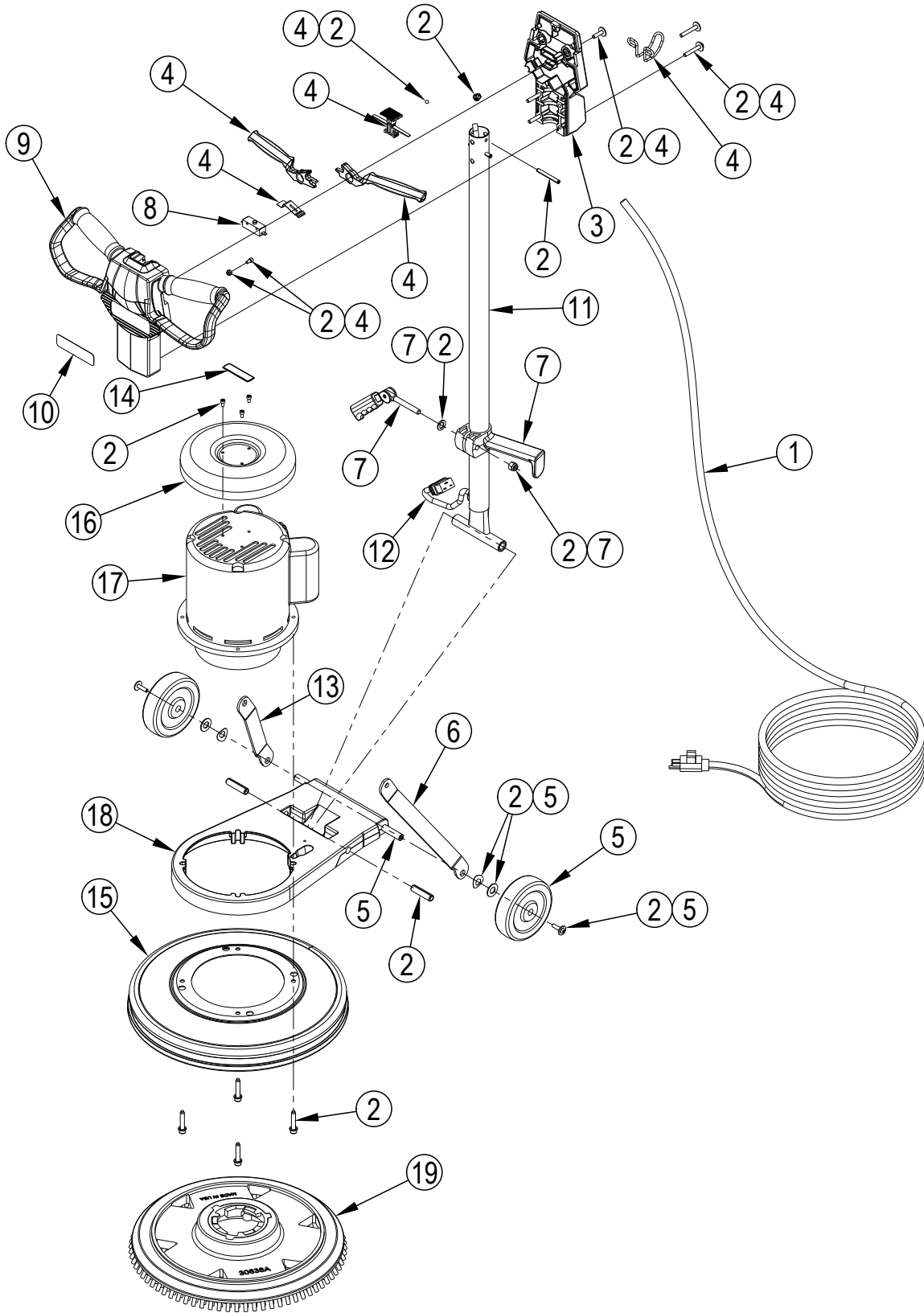
| Item | Ref. No. | Qty | Description |
|------|----------|-----|---|
| | 56172313 | | Splash Guard Assembly (20 Models) |
| | 53853A | | Solution Tank Kit (All Models) |
| | 11022A | | Weight Kit (HD Models only) |
| | 56384734 | | 15 Inch Hardwood Tool Assy NOTE 1 |
| | 56384735 | | Blade Kit-Wood (6 Piece Kit) |
| | 56384736 | | Skirt-Dust-17 Inch (17 Models) |
| | 56384737 | | Skirt-Dust-20 Inch (20 Models) |
| | 56384738 | | Driver-Sand Paper-HD-16 Inch |
| | 56384993 | | Hardware Tool 16" (17HD Models) |
| | 56384995 | | Hardware Blade Kit (17HD Models) |
| | 56384997 | | Removal – Hand Tool 4.5" (17HD Models) |
| | 56384998 | | Removal – Hand Tool Blade Kit 4.5 (17HD Models) |
| | 56384999 | | Removal – Hand Tool 7" (17HD Models) |
| | 56385000 | | Removal – Hand Tool Blade Kit 7 (17HD Models) |
| # | 56385250 | | Silica Dust Skirt Kit – 17 in |
| # | 56385253 | | Silica Dust Skirt Kit – 20 in |
| | 56020194 | | Bassine Brush 13 |
| | 30766A | | Brush 13 Union Mix |
| | 30767A | | Brush 13 Steel Wire |
| | 30768A | | Brush Poly Scrub C2K-130 |
| | 56020309 | | Nylon Medium Grit Brush 13 |
| | 56505910 | | Short-Trim Pad Holder 17 (w/pad centering device) |
| | 56505270 | | Level-Set Pad Holder 17 |
| | 56505915 | | ProLite™ Brush 17 |
| | 56505914 | | Prolene Brush 17 |
| | 56505911 | | MagnaGrit™ 46 Brush 17 |
| | 56505912 | | DynaGrit™ 80 Brush 17 |
| | 56505918 | | MidLite Grit™ 180 Brush 17 |
| | 56505917 | | MidGrit™ 240 Brush 17 |
| | 56505913 | | AgLite™ 500 Brush 17 |
| | 56505916 | | Union Mix Brush 17 |
| | 56505539 | | Soft-Touch™ Shampoo Brush 17 |
| | 56505920 | | Short-Trim Pad Holder 20 (w/pad centering device) |
| | 56505280 | | Level-Set Pad Holder 20 |
| | 56505925 | | ProLite™ Brush 20 |
| | 56505924 | | Prolene Brush 20 |
| | 56505921 | | MagnaGrit™ 46 Brush 20 |
| | 56505922 | | DynaGrit™ 80 Brush 20 |
| | 56505928 | | MidLite Grit™ 180 Brush 20 |
| | 56505927 | | MidGrit™ 240 Brush 20 |
| | 56505923 | | AgLite™ 500 Brush 20 |
| | 56505926 | | Union Mix Brush 20 |
| | 56505540 | | Soft-Touch™ Shampoo Brush 20 |
| | 56506006 | | NP-92 Clutch Plate-Nylon Replacement |
| | 56161750 | | Brown Stripping Pad, 17" (case of 5) |
| | 976054 | | Pads CS 17 Blue 51 CS=5EA (case of 5) |
| | 56161738 | | Blue Scrubbing Pad, 20" (case of 5) |
| | 56505019 | | Pad Centering Unit (includes 56393567) (for use w/56505910 and 56505920) |
| | 56393567 | | "Big Mouth" Pad Retainer (for use w/56505910 and 56505920) |

= Revised or new since last update

NOTE: Pad Holders and Brushes come complete with Industry Standard NP-92 Clutch Plate.

NOTE 1: Hardwood Tool Assembly 56384734 includes; Diamabrush Hardwood Prep Tool, Plastic Riser & Universal Clutch Plate.

ASSEMBLY DRAWING



ASSEMBLY DRAWING

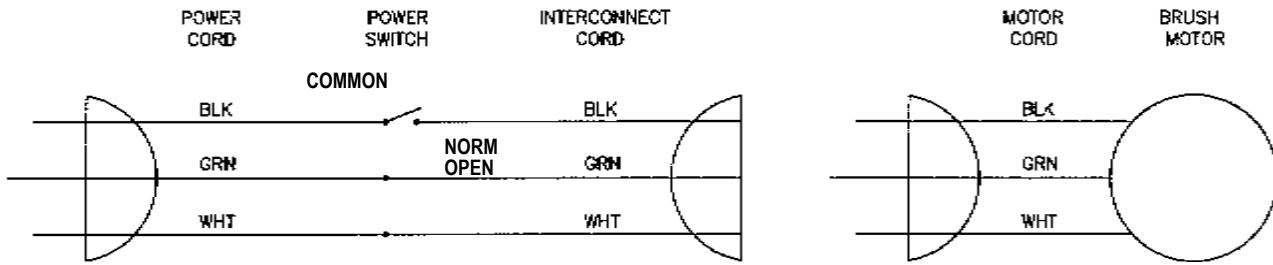
| Item | Ref. No. | Qty | Description |
|------|----------|-----|--|
| 1 | 40760A | 1 | Cord, Power (120V) |
| 1 | 40760C | 1 | Cord, Power (230V) |
| 2 | 11014A | 1 | Hardware Kit |
| 3 | 30644A | 1 | Handle, Back |
| 4 | 11016A | 1 | Trigger Kit |
| 5 | 11018A | 2 | Wheel Kit |
| 6 | 61740A | 1 | Link Arm, Left |
| 7 | 11019A | 1 | Handle Clamp Kit |
| 8 | 40949A | 1 | Switch SPSTNO 25A 125VAC ULCSA (120V) |
| 8 | 40949C | 1 | Switch, DPST (230V) |
| 9 | 30643A | 1 | Handle, Front (120V) |
| 9 | 30643C | 1 | Handle, Front (230V) |
| 10 | 70975A | 1 | Label, Handle Advance |
| 10 | 56383335 | 1 | Decal-Handle SERVPRO |
| 11 | 61373A | 1 | Handle Tube |
| 12 | 40774A | 1 | Cord, Interconnect (120V) |
| 12 | 40774C | 1 | Cord, Interconnect (230V) |
| 13 | 61741A | 1 | Link Arm, Right |
| 14 | 71169A | 1 | Label, Pacesetter 13 |
| 14 | 70978A | 1 | Label, Pacesetter 17 (120V) |
| 14 | 70978C | 1 | Label, Pacesetter 17 (230V) |
| 14 | 70979A | 1 | Label, Pacesetter 17HD (120) |
| 14 | 70979C | 1 | Label, Pacesetter 17HD (230V) |
| 14 | 70980A | 1 | Label, Pacesetter 20 (120V) |
| 14 | 70980C | 1 | Label, Pacesetter 20 (230V) |
| 14 | 70981A | 1 | Label, Pacesetter 20HD (120V) |
| 14 | 70981C | 1 | Label, Pacesetter 20HD (230V) |
| 14 | 70982A | 1 | Label, Pacesetter 20TS |
| 14 | 70983A | 1 | Label, Pacesetter 20SD |
| 15 | 11364A | 1 | Housing Assembly (13) |
| | 61844A | 1 | Housing (13) |
| | 50972A | 1 | Bumper (13) |
| 15 | 11006A | 1 | Housing Assembly (17) |
| | 61715A | 1 | Housing (17) |
| | 30381A | 1 | Bumper (17) |
| 15 | 11007A | 1 | Housing Assembly (20) |
| | 61714A | 1 | Housing (20) |
| | 50784A | 1 | Bumper (20) |
| 16 | 61716A | 1 | Cover, Drip (13, 17, 20, 17HD, 20HD, 20SD) |
| | 61717A | 1 | Cover, Drip (20TS) |

| Item | Ref. No. | Qty | Description |
|------|----------|-----|---------------------------------------|
| 17 | 40761A | 1 | Motor, (13, 17, 20) (120V/60Hz) |
| | 40694A | 1 | Start Capacitor (supplied with motor) |
| | 40695A | 1 | Run Capacitor (supplied with motor) |
| | 53190A | 1 | Start Switch (supplied with motor) |
| | 53645A | 1 | Gearbox, (13, 17, 20) |
| | 56380165 | 1 | Coupling (supplied with gearbox) |
| 17 | 40763A | 1 | Motor, (17HD, 20HD) (120V/60Hz) |
| | 40694A | 1 | Start Capacitor (supplied with motor) |
| | 53191A | 1 | Run Capacitor (supplied with motor) |
| | 53190A | 1 | Start Switch (supplied with motor) |
| | 53646A | 1 | Gearbox, (17HD, 20HD) |
| | 56380165 | 1 | Coupling (supplied with gearbox) |
| 17 | 40764A | 1 | Motor, (20TS) |
| | 56384679 | 1 | Brush Assembly Kit NOTE 1 |
| | 912287 | 1 | Rectifier (supplied with motor) |
| | 56039285 | 1 | Speed Control (supplied with motor) |
| | 40851A | 1 | Toggle Switch (supplied with motor) |
| | 53647A | 1 | Gearbox, (20TS) |
| | 56380165 | 1 | Coupling (supplied with gearbox) |
| 17 | 40766A | 1 | Motor, (20SD) |
| | 40694A | 1 | Start Capacitor (supplied with motor) |
| | 53191A | 1 | Run Capacitor (supplied with motor) |
| | 53190A | 1 | Start Switch (supplied with motor) |
| | 53654A | 1 | Gearbox, (20SD) |
| | 53850A | 1 | Coupling (supplied with gearbox) |
| 17 | 40762A | 1 | Motor (17, 20) (230V/50Hz) |
| | 40694A | 1 | Start Capacitor (supplied with motor) |
| | 53190A | 1 | Start Switch (supplied with motor) |
| | 53645A | 1 | Gearbox, (17, 20) |
| | 56380165 | 1 | Coupling (supplied with gearbox) |
| 17 | 40765A | 1 | Motor (17HD, 20HD) (230V/50Hz) |
| | 40694A | 1 | Start Capacitor (supplied with motor) |
| | 53190A | 1 | Start Switch (supplied with motor) |
| | 53646A | 1 | Gearbox, (17HD, 20HD) |
| | 56380165 | 1 | Coupling (supplied with gearbox) |
| 18 | 21088A | 1 | Mainframe |
| 19 | 30758A | 1 | Pad Driver (13) |
| 19 | 56505910 | 1 | Pad Holder-17 NP92 Clutch (17) |
| 19 | 56505920 | 1 | Pad Holder-20 NP92 Clutch (20) |

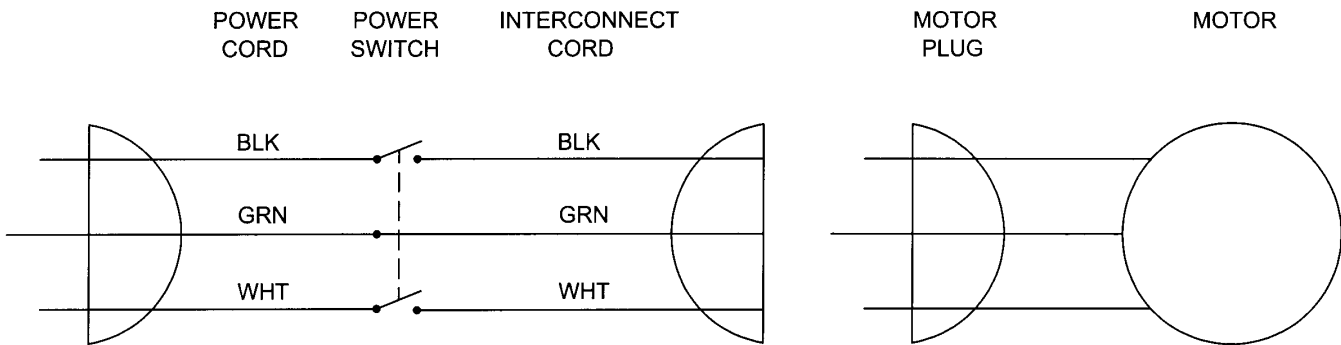
[] = Not Shown
 * = Optional, Not Included

NOTE 1: Replacement carbon brushes for Motor 40764A. Includes 4 carbon brushes and springs.

120V WIRING DIAGRAM

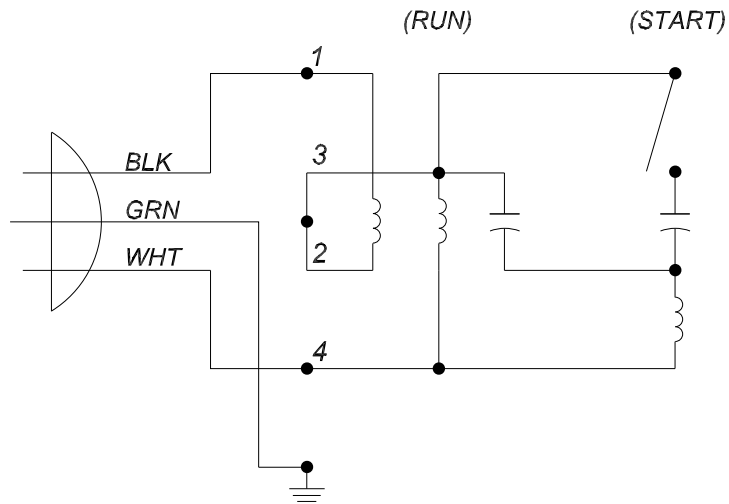


230V WIRING DIAGRAM

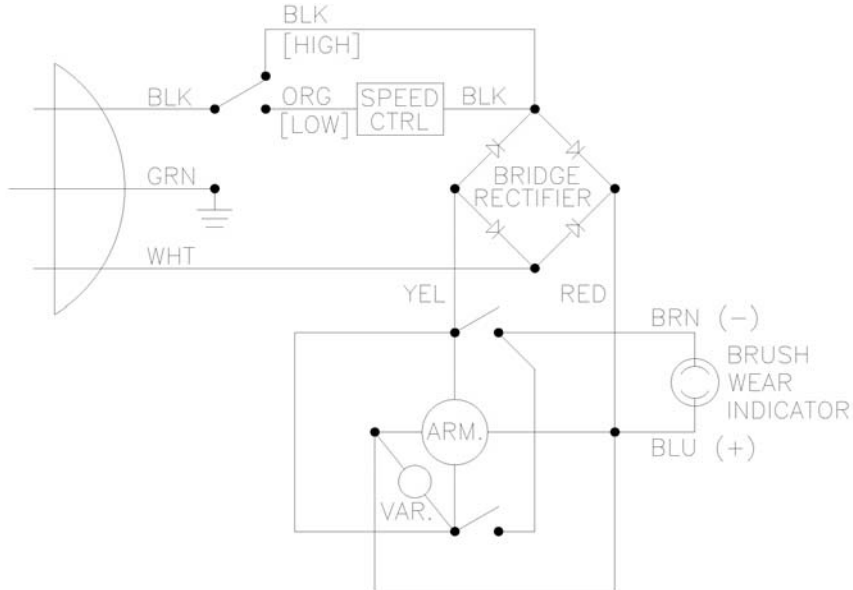


MOTOR SCHEMATICS

All 230V Models (17, 20, 17HD & 20HD) Motor Schematic

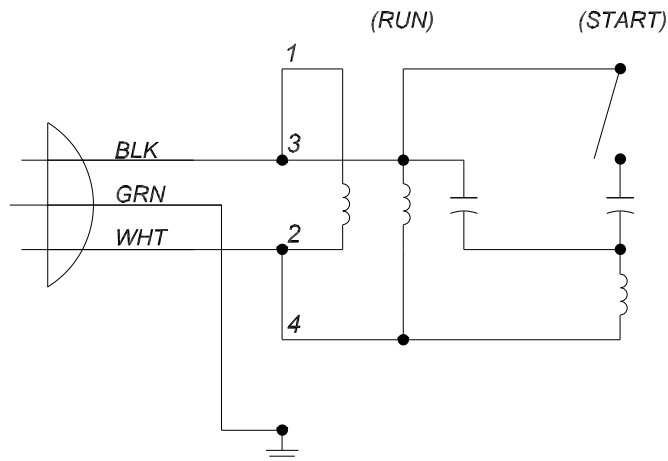


TS Motor Schematic



All 120V Models (except TS) Motor Schematic

ELECTRICAL SCHEMATIC
(120V)





9435 Winnetka Ave North
Minneapolis, MN 55445
www.advance-us.com
Phone: 800-989-2235
Fax: 800-989-6566
©2018 Nilfisk, Inc.

